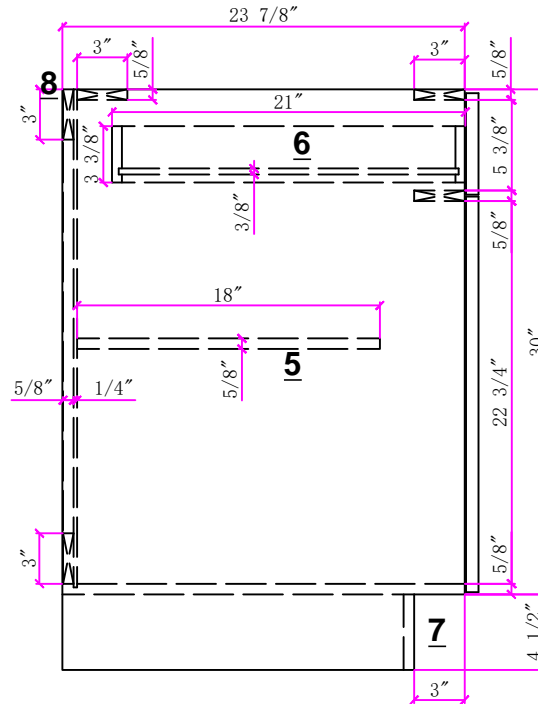
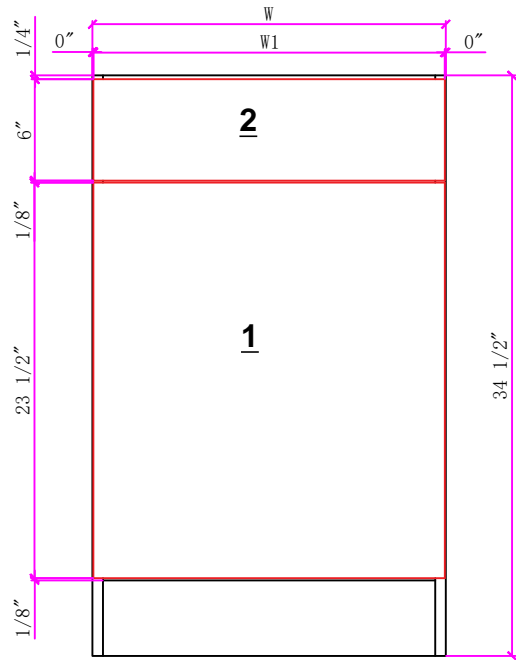


Apro

序号	修改内容	签名	修改日期	修改原因



1) 3/4" Particleboard Melamine Door with melamine back (in color closest to door color)

2) 3/4" Particleboard Melamine Drawer front with melamine back (in color closest to door color)

3) 5/8" Particleboard sides with melamine on all sides

4) 5/8" Particleboard back with melamine on interior

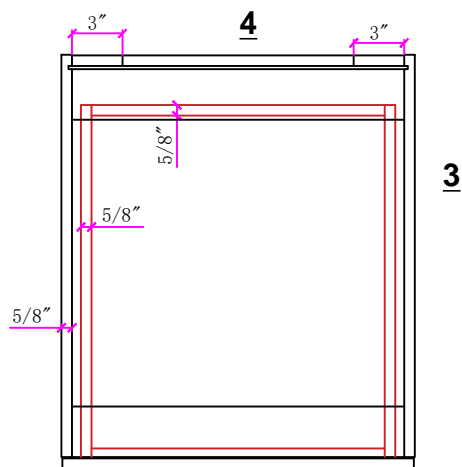
5) 5/8" Thick, 18" Long Particleboard shelf with melamine on all sides and matching edge band

6) 5/8", 21" Deep Particleboard drawer box with 3/8" MDF bottom, finished in melamine on all sides (except bottom underside)

7) 4 1/2" Built In Toe Kick with matching 5mm MDF Toe Kick Skin

8) 5/8", 3" Long Particleboard support

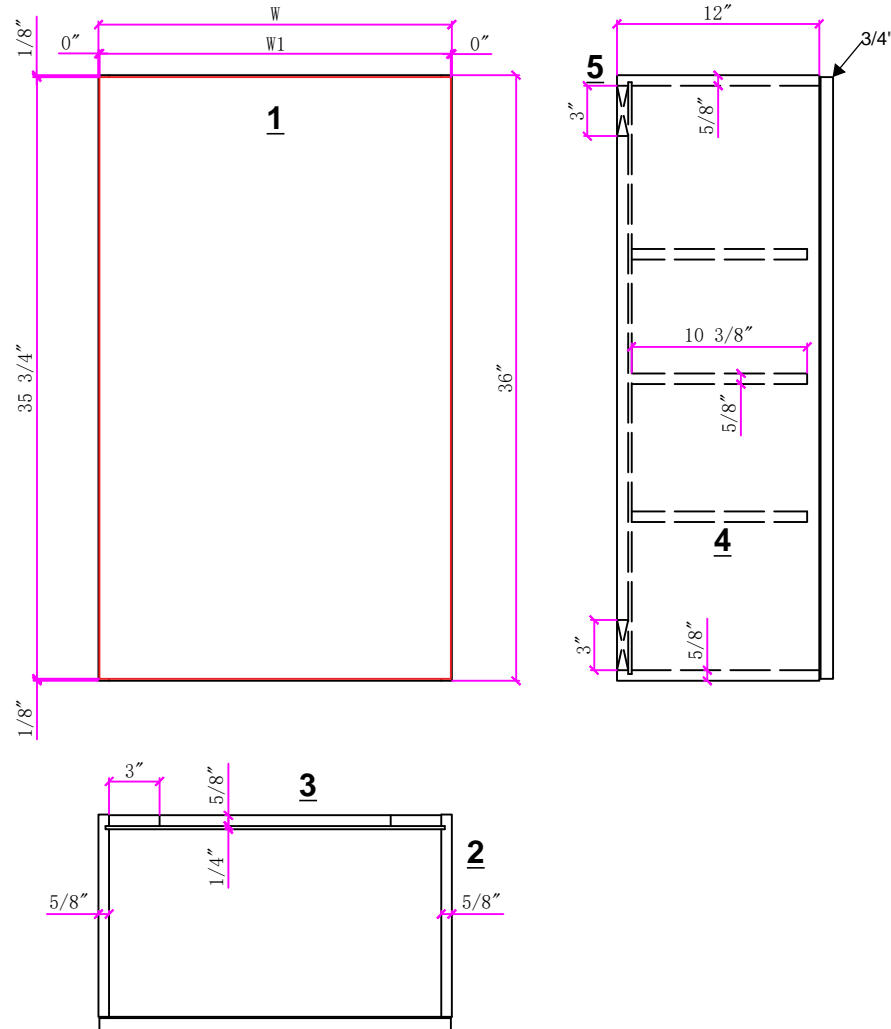
*Height, width and depth are customizable based on Customer's needs



	B09-B21 L/R
:	

Apro

序号	修改内容	签名	修改日期	修改原因



1) 3/4" Particleboard Melamine Door with melamine back (in color closest to door color)

2) 5/8" Particleboard tops and sides with melamine on all side

3) 5/8" Particleboard back with melamine on interior

4) 5/8" Thick, 10 3/8" Long Particleboard shelf with melamine on all sides and matching edge band

5) 5/8", 3" Long Particleboard support

*Height, width, and depth are customizable based on Customer's needs

	W0936 L/R-W2136 L/R